

www.doosanlift.com



Personnel Carrier

600lb Capacity

BUV03S-7

Stock Chaser

1,000lb Capacity

BSC05S-7

Burden Carrier

4,400lb - 6,600lb Capacity

BBC23/28S-7



BUV03S-7 PERSONNEL CARRIER



Moves People Quickly and Safely

The Doosan BUV03S-7 Personnel Carrier will move people quickly and safely to their destination with cargo or a passenger.

- A Curtis 24-volt system provides smooth power and energy efficiency.
- The Fold-Down Seat Backrest and Rear Footrest create an additional passenger seat.
- The standard Hourmeter/BDI keeps track of run time and battery state of charge.
- 4 deep cycle 6-volt batteries and a built-in charger are standard.
- Large rear deck for tools or other cargo.
- Soft Solid Tires for traction and a comfortable ride.

Doosan's BUV03S-7 will save time and money by swiftly transporting people and cargo safely and economically.



BSC05S-7 STOCK CHASER



Order Picking Made Easy

Ideal for order picking and moving materials, the Doosan BSC05S-7 Stock Chaser is an economical solution for your material handling needs. Doosan keeps your cost low by including many popular features at no extra charge.

STANDARD FEATURES

- 4-Step Ladder that allows access to the second or third pick level.
- Backrest and Knee Pads to make the operator both comfortable and productive.
- Hourmeter/BDI to keep track of run time and battery state of charge.
- A Clipboard Holder provides easy access to order tickets for operator convenience.
- 24-volt Curtis Controller is an industry standard, reliable and easy to diagnose.

The Doosan BSC05S-7 Stock Chaser can also be customized with the following options:

- 6-Step Ladder to pick at even higher levels.
- Added Head Light to brighten darker areas when necessary.
- Dual Steer Tires add stability.
- Hitch options to match your application requirements.

BBC23/28S-7 BURDEN CARRIER



Move Heavy Loads Efficiently

Doosan's Model BBC23/28S-7 Burden Carriers are designed to move people and heavy loads efficiently and safely through manufacturing and warehouse environments. The 48-volt Curtis Controller provides the smooth acceleration and maneuverability necessary to deliver cargo on time. A dual brake system gives you the stopping power required for heavy loads. Standard power steering makes driving effortless and the tilt steering column adjusts to comfortably fit any size operator.

- The standard light package improves visibility for the operator and others.
- A steel load deck can take the punishment of repeated heavy loads.
- A standard passenger seat increases versatility and functionality.
- An optional amber strobe makes everyone aware of the vehicle's presence.
- Optional side rails and tailgate will help contain the load in the cargo area.

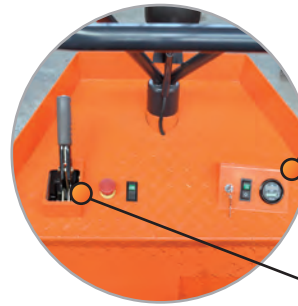
The Doosan BBC23/28S-7 Burden Carriers are a cost effective solution for any warehouse or plant that needs to move heavy loads.



GET **MORE** FOR YOUR MONEY

Personnel Carrier

BUV



Hour Meter/ Battery Discharge Indicator

Keeps operator informed of battery reserve capacity and maintenance intervals.

Hand Park Brake

Conveniently located spring loaded hand park brake.

Wide Comfortable Seat

Accommodates operators of all sizes.

Handle Bar Steering

Simple and precise.

Head Light (Optional)

For optimum visibility.

Soft Solid Tires

Provides traction needed and a comfortable ride.

Low-Platform Step

Eases entry and exit of vehicle.



7.9 in
(200mm)

Built-In 24V/20 Amp Charger

Batteries are easily charged in any 110-volt outlet.

Curtis Controller

Industry standard, reliable, and easy to diagnose.



Fold Down Backrest

Doubles as a seat for a rear passenger.

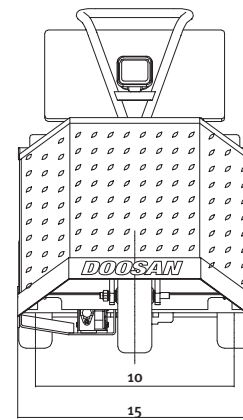
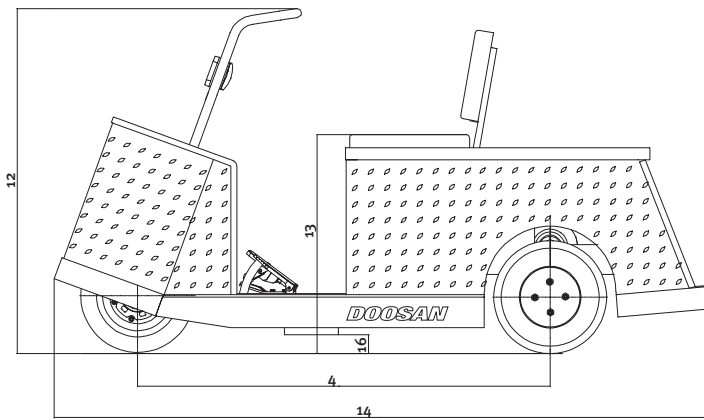
Large Storage Deck

Hauls cargo efficiently.

Rear Foot Rest

Safe and comfortable area for rear passenger.





Specification

Characteristics		
1	Model	BUV03S-7
2	Load capacity	lb (kg) 660(300)
3	Towing capacity	lb (kg) 2200(1000)
4	Wheelbase	in (mm) 63(1600)
Weight		
5	Service weight(with battery)	lb (kg) 1036(470)
6	Axle loading: unloaded - front/rear	lb (kg) 343/683(160/310)
Chassis		
7	Tires	Elastic Solid
8	Tires size - front/rear	in (mm) 15 x 4.5 x 8
9	Wheels,number front rear(x=driven wheels)	in (mm) 1/2X
10	Tread - rear	in (mm) 26(662)
Dimensions		
11	Steering handle height	in (mm) 45.2(1150)
12	Overall height	in (mm) 45.2(1150)
13	Seat height	in (mm) 28.7(730)
14	Overall length	in (mm) 86.2(2190)
15	Overall width	in (mm) 30.7(780)
16	Ground clearance	in (mm) 2.5(63)
Performance		
17	Turning radius	in (mm) 72.8(1850)
18	Travel speed - loaded/unloaded	mph(kmh) 8.70/4.97(14/8)
19	Max. travel distance (one a single charge)	mile 19.9(32)
20	Max. gradeability - loaded/unloaded	% 15/15
21	Drive motor power	kW 3.2
22	Battery voltage	V/Ah 24/217
23	Battery compartment size	in (mm) 10.7 x 28.8 x 15.1(273 x 734 x 385)

* Specifications and dimensions of vehicles may change without notice for quality improvement, and images shown in this catalog may differ with actual ones.

Specially Designed Steer Wheel

Enables unobstructed access to the storage deck from the operator position.

Back Rest / Knee Pad

Improves operator comfort.

Hour Meter / Battery Discharge Indicator

Keeps operator informed of battery reserve capacity and maintenance intervals.

Operator Presence Switch

Turns off truck and applies brake when operator leaves vehicle.

Brake / Accelerator Pedal

Allows travel and braking with one pedal.

Built-In Charger

Batteries are easily charged in any 110-volt outlet.

Curtis Controller

Regulates travel speeds and allows for easy maintenance diagnostics.

Storage Compartment

Convenient storage for clipboard or paperwork.

Easy Open Deck Lid

For convenient access to internal components.



Dual Steer Wheels

Optional for customers that require four wheel vehicles.

Counterbalance Weight

Required when optional 6 Step ladder is selected.

6-Step Ladder (Option)

Allows picking on a higher level.
*4 step ladder (Standard)



Hitch (Option)

Eye Hitch



Pintle Hitch



Automatic Hitch

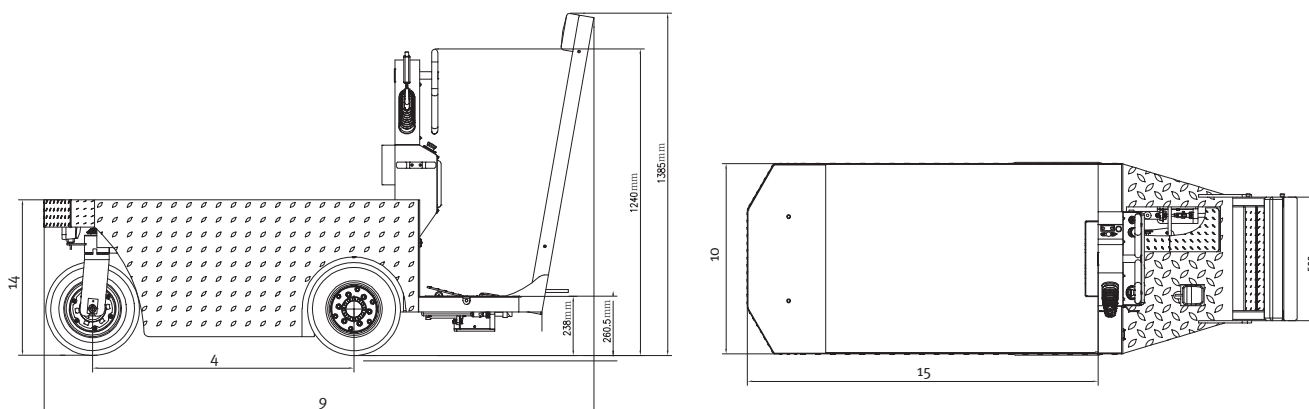


Head Light (Option)

For optimum visibility.

Flashing Light (Option)

Alerts others to your presence for safer operations.



Specification

Characteristics		
1	Model	BSC05S-7
2	Load capacity	lb (kg) 992(450)
3	Towing capacity	lb (kg) 4850(2200)
4	Wheelbase	mm (in) 41.5(1055)
Weight		
5	Service weight(with battery)	lb (kg) 1234(560)
Chassis		
6	Tires	Elastic Solid
7	Tires size - front/rear	in (mm) 15 x 4.5 x 8
8	Wheels,number front rear(x=driven wheels)	in (mm) 1/2X
Dimensions		
9	Overall length	in (mm) 87.5(2224)
10	Overall width	in (mm) 30.3(770)
11	Overall height	in (mm) 54.4(1381)
12	Ground clearance	in (mm) 3(75)
13	Max ladder height	in (mm) 110.8(2815)
14	Height of deck	in (mm) 24.7(627)
15	Deck size	in (mm) 56.0 x 30.3 (1420 x 770)
Performance		
16	Turning radius	in (mm) 50.4(1280)
17	Max. gradeability - loaded/unloaded	% 6/10
18	Battery voltage	V/Ah 24/225
19	Drive motor power	kW 3.2
20	Battery compartment size	in (mm) 29.9 x 10.6 x 14.9(760 x 270 x 380)

* Specifications and dimensions of vehicles may change without notice for quality improvement, and images shown in this catalog may differ with actual ones.

GET **MORE** FOR YOUR MONEY

Burden Carrier

BBC

Spinner Knob

For easier maneuverability in tight spaces.

Adjustable Steering Column

For operator comfort.

Contoured Edge

Not only looks good, but eliminates sharp edges and strengthens the truck body.

Tow Hook

Allows towing loads up to 8800 lbs.



Full Light Package

- Headlights and Tail Lights
- Directional Indicator
- Back up light for safety and visibility.

Pneumatic Tires on BBC23S-7 Soft Solid Tires on BBC28S-7

Provides traction needed and a comfortable ride.

Brake System

Rear hydraulic drum brake ensures stopping power with heavy loads.

Side Rails and Tailgate (Optional)

Helps contain loads when stopping and turning.

Two Passenger Compartment

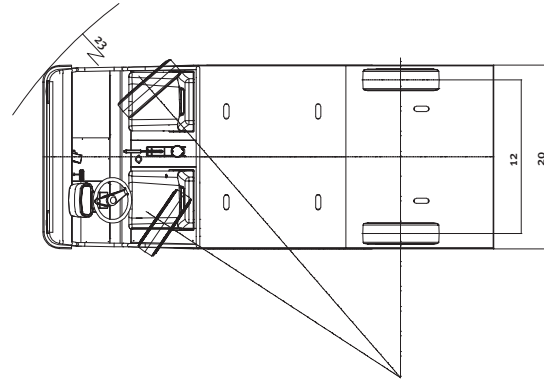
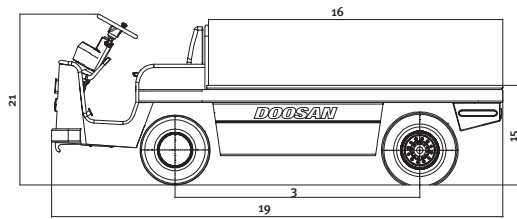
Large spacious compartment provides comfort for two.



Spring Suspension

Provides comfort on rough surfaces (BBC23S-7 only).





Specification

Characteristics			
1	Model		BBC23-7 BBC28-7
2	Load capacity	lb (kg)	4400(2000) 6600(3000)
3	Wheelbase	in (mm)	63(1600) 59(1500)
Weight			
4	Service weight(with battery)	lb (kg)	3200(1450) 2870(1300)
5	Axle loading: loaded - front/rear	lb (kg)	2345/5172(1104/2346) 2149/6228(975/2825)
6	Axle loading: unloaded - front/rear	lb (kg)	1490/1706(676/774) 1300/1565(590/710)
Chassis			
7	Tires		Penumatic Solid
8	Tires size - front		6.00-9-10 Pr 460 x 127 x 266.7
9	Tires size - rear		6.50-10-10 Pr 457 x 127 x 308
10	Wheels,number front rear(x=driven wheels)	in (mm)	2/2X 2/2X
11	Tread - front	in (mm)	42.5(1080) 36.2(920)
12	Tread - rear	in (mm)	42.1(1070) 36.4(925)
Dimensions			
13	Seat height/stand height	in (mm)	31.5(800) 30.3(770)
14	Coupling height	in (mm)	19.7(500) 15.7(400)
15	Loading height, unloaded	in (mm)	29.5(750) 24.4(620)
16	Length of loading surface	in (mm)	78.7(2000) 78.7(2000)
17	Overhang	in (mm)	24.8(630) 30.3(770)
18	Width of loading surface	in (mm)	49.2(1250) 43.3(1100)
19	Overall length	in (mm)	126(3200) 124(3150)
20	Overall width	in (mm)	49.2(1250) 43.3(1100)
21	Overall height	in (mm)	50.3(1280) 49.2(1250)
22	Ground clearance	in (mm)	4.7(120) 3.5(90)
Performance			
23	Turning radius	in (mm)	126(3200) 124(3150)
24	Internal turning radius	in (mm)	55(1400) 41(1040)
25	Travel speed - loaded/unloaded	mph (kmh)	6.84/8.07(11/13) 5.59/7.46(9/12)
26	Max. gradeability - loaded/unloaded	%	10/20 10/20
27	Operation type		Hydraulic hydraulic
28	Drive motor power	kW	3 3
29	Battery voltage	V/Ah	48/330 48/250
30	Battery compartment size	in (mm)	29 x 16 x 19(740 x 426 x 505) 29 x 16 x 15(740 x 426 x 390)

* Specifications and dimensions of vehicles may change without notice for quality improvement, and images shown in this catalog may differ with actual ones.